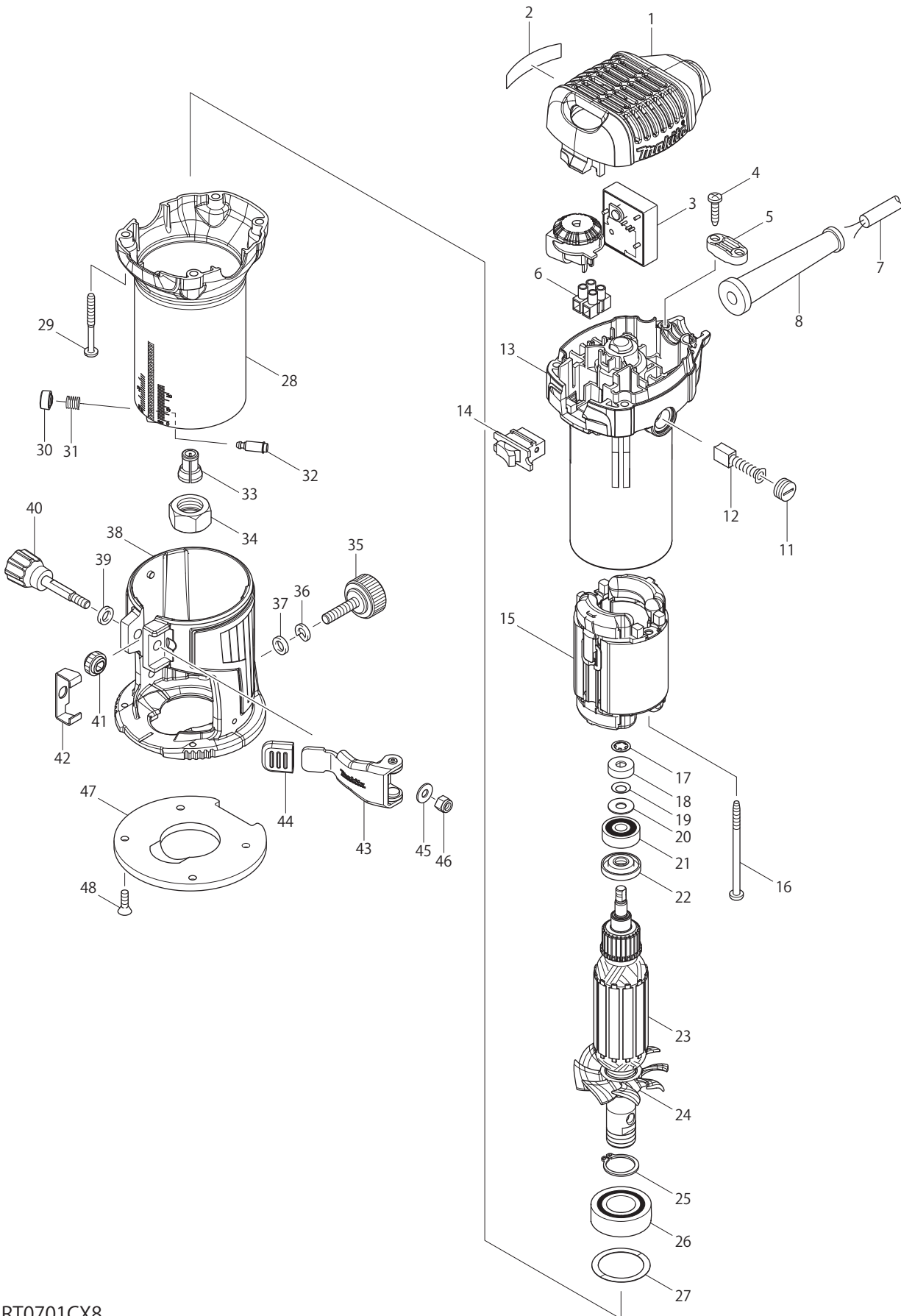




09 - 2015
RT0701C, RT0701CX8
1-1/4 H.P. TRIMMER/ROUTER



Item No.	Type	Ref	Part No.	Description	Qty	Unit
001	1		141052-3	* TOP COVER COMPLETE	1	PC.
		INC.	893157-2	* CAUTION LABEL	1	PC.
	2		141N81-0	* TOP COVER COMPLETE	1	PC.
		INC.	893157-2	* CAUTION LABEL	1	PC.
002			815A51-4	NAME PLATE F/RT0701C	1	PC.
003			620039-3	CONTRLER	1	PC.
004			266326-2	TAPPING SCREW 4X18	2	PC.
005			687123-7	STRAIN RELIEF	1	PC.
006			654542-2	TERMINAL BLOCK 2P	1	PC.
007			664891-9	CORD W/PLUG 2P-18-2.5M,SJ	1	PC.
008			682569-2	CORD GUARD 8-85	1	PC.
011			643550-8	BRUSH HOLDER CAP 5-8	2	PC.
012			195008-8	CARBON BRUSH CB-408 2PC/SET W/ORIGIN	1	SET
013	1		140736-0	* BRACKET COMPLETE	1	PC.
		INC.	643455-2	* BRUSH HOLDER 6X9	2	PC.
	2		141N79-7	* BRACKET COMPLETE	1	PC.
		INC.	643455-2	* BRUSH HOLDER 6X9	2	PC.
014			651527-9	SWITCH	1	PC.
015	1		633766-3	FIELD 115V	1	PC.
	2		593766-4	FIELD ASSY 115V	1	PC.
		INC.	654100-4	RING TERMINAL	1	PC.
	3	INC.	654485-8	PARALLEL SPLICE	1	PC.
016			266340-8	TAPPING SCREW 4X65	2	PC.
017			259039-2	SELF LOCK 6	1	PC.
018	2		688117-5	MAGNET SLEEVE	1	PC.
019			253332-6	THIN WASHER 6	1	PC.
020			267756-0	WAVE WASHER 6	1	PC.
021			210023-2	BALL BEARING 627DDW	1	PC.
022			681668-7	INSULATION WASHER	1	PC.
023			515841-6	ARMATURE ASS'Y 115V	1	PC.
		INC.		Item No. 17-22,24-26		
024			240125-0	FAN 55	1	PC.
025			961057-5	RETAINING RING S-17	1	PC.
026			210301-0	BALL BEARING 6003DDW	1	PC.
027			253906-3	WAVE WASHER 26	1	PC.
028			140735-2	OUTER HOUSING COMPLETE	1	PC.
029			266560-4	TAPPING SCREW 4X40	4	PC.
030			452468-0	PUSH BUTTON	1	PC.
031			233127-3	COMPRESSION SPRING 7	1	PC.
032			256437-1	PIN 4	1	PC.
033			763637-1	COLLET CONE 1/4"	1	PC.
034			763615-1	COLLET NUT	1	PC.
035			265763-7	THUMB SCREW M6X25	1	PC.
036			942151-2	SPRING WASHER 6	1	PC.
037			941151-9	FLAT WASHER 6	1	PC.
038	2		142403-3	* TRIMMER BASE COMPLETE	1	PC.
039			941151-9	FLAT WASHER 6	1	PC.
040			265792-0	THUMB SCREW M5X35	1	PC.
041			227262-7	SPUR GEAR 16	1	PC.
042			346392-6	CAM PLATE	1	PC.
043			163524-8	LOCK LEVER COMPLETE	1	PC.
044			424396-9	RUBBER CAP	1	PC.
045			941101-4	FLAT WASHER 5	1	PC.
046			252103-8	HEX. LOCK NUT M5-8	1	PC.
047	1		413149-1	* BASE PROTECTOR	1	PC.
	2		454842-8	* BASE PROTECTOR	1	PC.
048			912112-6	COUNTERSUNK HEAD SCREW M4X10	4	PC.

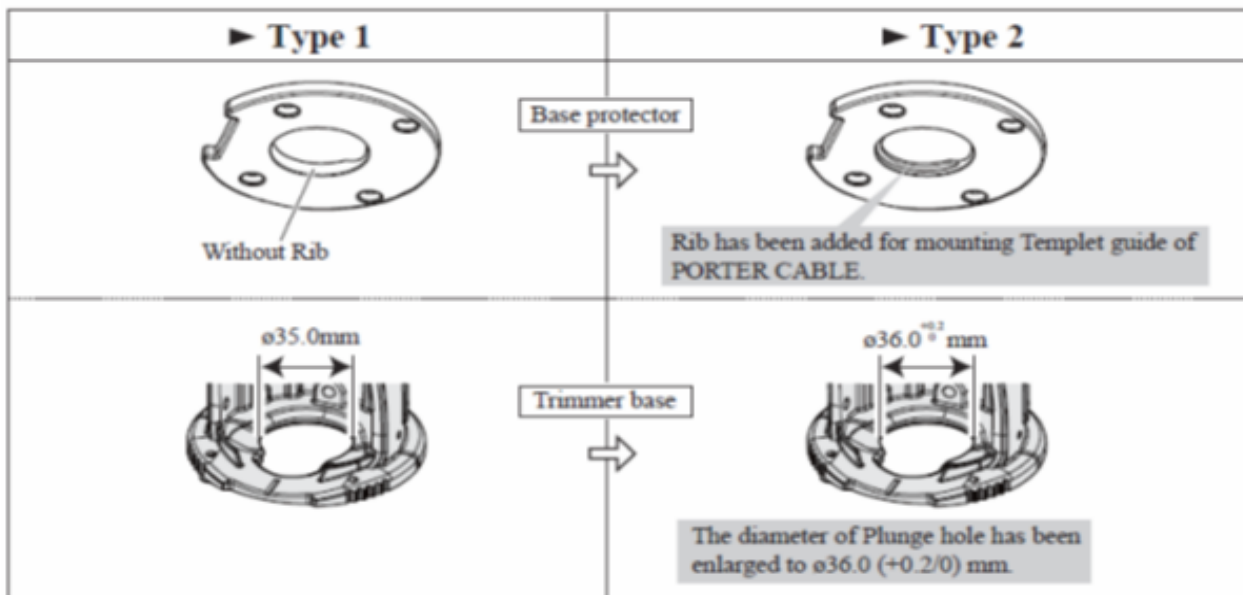
Item No.	Type	Ref	Part No.	Description	Qty	Unit
C01			875198-0	CARTON F/RT0701C	1	PC.
C02			872162-2	CARTON FOR RT0701CX8	1	PC.
ACCESSORIES			- Visit www.makita.ca for more accessories information -			
A01			122965-7	STRAIGHT GUIDE ASSEMBLY	1	PC.
		INC.	252649-4	THUMB NUT M6	1	PC.
		INC.	266339-3	CAP SQUARE NECK BOLT M6X20	1	PC.
		INC.	346382-9	GUIDE PLATE	1	PC.
A02			P-80011	DUST NOZZLE SET (F/PLUNGE BASE)	1	PC.
		INC.	213022-3	O RING 3	2	PC.
		INC.	265774-2	THUMB SCREW M4X19	1	PC.
A03			195559-1	DUST NOZZLE SET (F/TRIMMER BASE)	1	PC.
		INC.	265774-2	THUMB SCREW M4X19	1	PC.
A04			343577-5	TEMPLET GUIDE 10	1	PC.
A05			763619-3	COLLET CONE 3/8"	1	PC.
A06			781011-1	WRENCH 22	1	PC.
A07			781039-9	WRENCH 13	1	PC.
A08			193043-0	TEMPLET GUIDE 16 - PKG	1	PC.
A09			122703-7	TRIMMER GUIDE ASS'Y	1	PC.
		INC.	251471-6	- FLAT HEAD SCREW M5	1	PC.
		INC.	265135-6	+ COUNTERSUNK HEAD SCREW M4X10	1	PC.
		INC.	265763-7	THUMB SCREW M6X25	1	PC.
		INC.	265764-5	THUMB SCREW M6	1	PC.
		INC.	317788-8	GUIDE HOLDER	1	PC.
		INC.	324378-0	ROLLER 11	1	PC.
		INC.	341136-9	HOOK	1	PC.
		INC.	941151-9	FLAT WASHER 6	1	PC.
A10			196094-2	PLUNGE BASE SET W/ORIGIN (See Parts Breakdown 196094-2)	1	PC.
A11	2		198987-9	TILT BASE SET W/ORIGIN (See Parts Breakdown 198987-9)	1	PC.
A12			153489-2	GRIP 36 COMPLETE	1	PC.
A13			195564-8	GUIDE HOLDER SET	1	PC.
		INC.	252649-4	THUMB NUT M6	1	PC.
		INC.	256850-3	ROD 8	2	PC.
		INC.	266339-3	CAP SQUARE NECK BOLT M6X20	1	PC.
A14			831327-5	TOOL BAG	1	PC.
A15			196093-4	OFFSET BASE SET W/ORIGIN (See Parts Breakdown 196093-4)	1	PC.
A16			191750-9	FLEXIBLE HOSE SET	1	PC.
A17			164379-4	TEMPLET GUIDE 9.5 (3/8")	1	PC.
			164393-0	TEMPLET GUIDE 20 (13/16")	1	PC.
			164470-8	TEMPLET GUIDE 27 (1-1/16")	1	PC.
			164471-6	TEMPLET GUIDE 30 (1-3/16")	1	PC.
			164472-4	TEMPLET GUIDE 40 (1-9/16")	1	PC.
			164775-6	TEMPLET GUIDE 11 (7/16")	1	PC.
			164776-4	TEMPLET GUIDE 13 (1/2")	1	PC.
A18			321492-3	TEMPLET GUIDE ADAPTER 30	1	PC.
A19	2		193312-9	STRAIGHT GUIDE, W/MICRO ADJUSTMENT, STEEL Use W/196094-2	1	PC.
		INC.	193292-9	ROD 8 SET, 2PC/SET	1	SET
		INC.	193359-3	ROD 12 SET, 2PC/SET	1	SET
		INC.	193360-8	ROD 7 SET, 2PC/SET	1	SET

Item No.	Type	Ref	Part No.	Description	Qty	Unit
A20			194367-7	GUIDE RAIL 3000MM (with SP6000)	1	PC.
			194368-5	GUIDE RAIL 1400MM (with SP6000)	1	PC.
			194925-9	GUIDE RAIL 1900MM (with SP6000)	1	PC.
A21			194385-5	CLAMP SET (with SP6000)	1	PC.
A22			194416-0	SEAT 10000 SET (with SP6000)	1	PC.
A23			194417-8	RUBBER SEAT 10000 SET (with SP6000)	1	PC.
A24			194418-6	POSITION SEAT 1400 SET (with SP6000)	1	PC.
A24			194419-4	POSITION SEAT 3000 SET (with SP6000)	1	PC.
A25			196664-7	BEVEL GUIDE SET (with SP6000)	1	PC.
A26			194579-2	GUIDE RAIL ADAPTER SET	1	PC.
A27			733238-9	STRAIGHT BIT 6E	1	PC.
A28			195570-3	ACCESSORY SET	1	PC.
	INC.			Item No. A04-A07	1	PC.
A29			196613-4	TRIMMER BASE SET	1	PC.
	INC.			Item No. 35-48		

SERVICE CHANGES

1. Changes on Base protector and Trimmer base complete (T/I# A0462)

Item No.	Description	Type 1	Type 2
38	Trimmer base complete	140739-4	142403-3
47	Base protector	413149-1	454842-8



2. Changes on Top Cover Complete and Bracket Complete (T/I#DH488)

Item No.	Description	Type 1	Type 2
1	TOP COVER COMPLETE	141052-3	141N81-0
13	BRACKET COMPLETE	140736-0	141N79-7

Above parts are completely interchangeable as a set.